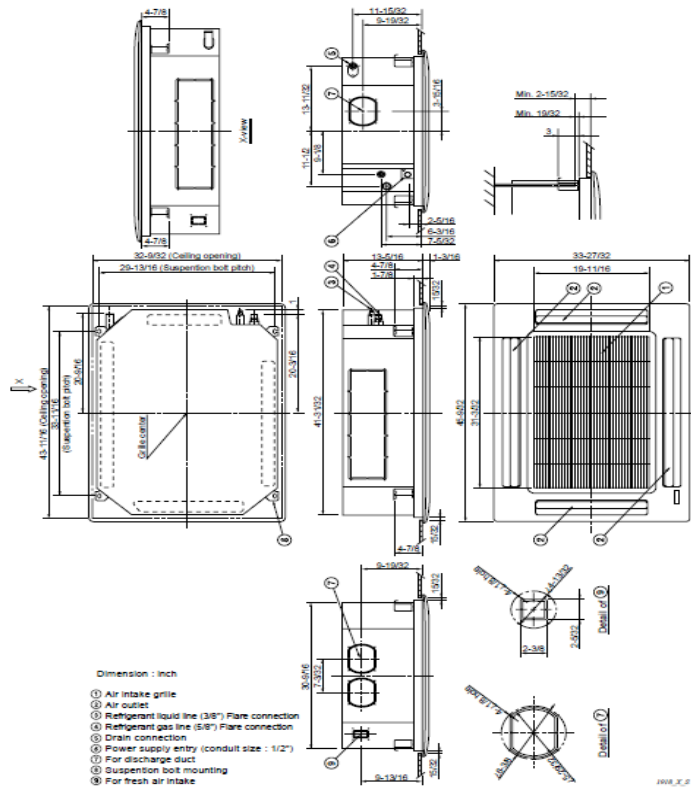


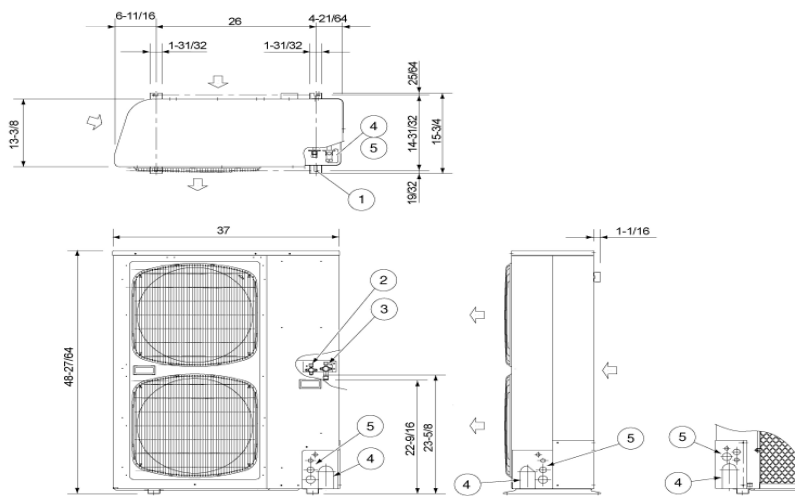
Dimensional Data for 42XH72R

Indoor unit : XH4272R

Indoor unit : 4-Way Air Discharge Semi-concealed Type
36, 42Type



(B) Outdoor Unit: CH4272R, C4272R



Dimension: inch

| | |
|---|---|
| ① | Hole for anchor bolt (4-R6.5) / Anchor bolt: M10 |
| ② | Refrigerant tube joint (liquid line tube) • Flare connection 3/8 in (9.52 mm) |
| ③ | Refrigerant tube joint (gas line tube) • Flare connection 5/8 in (15.88 mm) |
| ④ | Refrigerant tubing inlet (knock-out hole) |
| ⑤ | Power supply inlet (knock-out hole φ38, φ29, φ19, φ16 mm) |